



DCH

Gen-set radiator units

General information & application

Industrial DCH radiator units are designed for cooling of water or other process fluids for Diesel and Gas Power Generation. This heat exchanger configuration offers a compact solution with dimensions and capacity range as typically required for Gen-set containers in the Power Generation industry.

A typical Gen-set container includes the engine, electric generator, radiator, control panel, silencer, etc. DCH radiator units are designed to be installed inside the container. DCH radiator units can also be used for other cooling applications in process and general industries.

Heat exchanger coil

The innovative heat exchanger coil gives excellent heat transfer thanks to new corrugated aluminium fins combined with copper tubing. Tubes and fins are available in different diameters and thicknesses.

DCH radiators are designed with two vertically positioned, independent heat exchanger coils. Thanks to the two separated coils or the use of split coil circuits it is possible to cool different fluids. This configuration, dedicated to the Power Generation, allows to cool two different circuits (i.e. LT and HT engine circuit) in a unique, compact radiator unit.

Copper manifolds are provided with aluminium flanged connections, draining and venting nozzles. DCH can have one or two modules, depending on the required performance. Each heat exchanger undergoes a pressure and leak test with dry air at 10 bar (design pressure 9 bar).

Fan motors

3-Phase 400V-50Hz squirrel cage induction motors (IEC) are used, on demand 460V-60Hz or other power supply. Protection Class IP55, temperature class F or H, depending to the working conditions. On demand greasers can be included. Each electric fan motor is wired to a terminal box or a safety switch close to the fan cowl.



DCH

Fan blades

DCH can be supplied with different fan diameters (1250 up to 1440 mm) fitted with fan blades in aluminium (wind profile), fiber glass or galvanized steel. Fans can have either fixed or adjustable blades. Fans are protected by a epoxy coated or hot deep galvanized metal protection grid.

Frame and Casing

Casing is made of pre-galvanized sheetsteel. New frame design provides high rigidity, also for heavy applications. Maintenance can be easily done from outside or by entering inside the unit using special inspection doors.

Support Feet

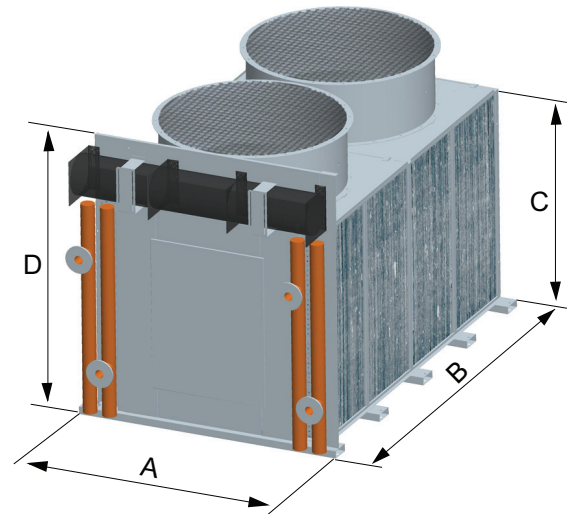
Heavy duty, hot-dip galvanized steel profiles permit easy transportation of the unit and can be used at the same time to fix the DCH inside the container.

Authorised agent

(IPC) Industrial Power Cooling Ltd, www.ipcuk.com, t: 00 44 (0) 845 873 9916, info@ipcuk.com

Options/Accessories

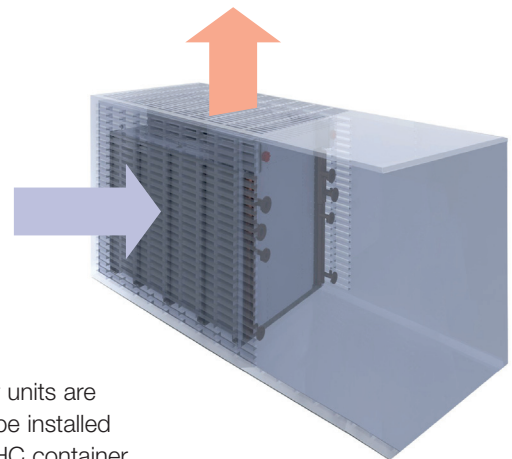
- Combined version and double circuit (LT / HT)
- Several fin spacings
- Coil treatment for aggressive environments
- Stainless steel tubes
- Counter-flanges
- Vent and drain ball valves
- Extra static pressure drop from 50 to 200 Pa
- Noise absorption
- Expansion tank delivered installed and completely connected to the manifold:
 - Basic or with level indicator
 - Automatic venting (optional)
 - Over-pressure valve (0,5Bar)
 - High temperature piping,
- High Temperature Electric Motors,
- Electric motor Space Heaters,
- Special components for application in hazardous environments (max zone II)
- Electrical parts:
 - Isolating switch (one switch for each fan motor)
 - Terminal box (all fans wired for easy electrical connection switchboard),



Main dimensions (mm)

A	Max 2140
B	3100 (without manifolds; in case of two fans)*
C	2050
D	2550

* Other dimensions on request



DCH radiator units are designed to be installed inside a 40' HC container.

Code description

DCH 6 - 2 EE - J 8 - 18.5 H	
H	Motor temperature class (H/F)
18.5	Nom. motor power (kW)
8	Nr. of motor poles
J	Fan diameter code
EE	Coil sizes code
2	Nr. of fans (1, 2, 3)
6	Tube diameter code (empty=12 mm, 6=16 mm)
DCH	DCH gen-set radiator unit

Benefits

- Heavy duty construction for a long product life
- Compact solution for installation inside container
- Dry cooling system: no water consumption, no bacteriological problems
- Low corrosion risk
- Easy maintenance
- Plug-and-play solution

ERC00385EN 1202

Alfa Laval reserves the right to change specification without prior notification.

Visit www.alfalaval.com for more information or contact

(IPC) Industrial Power Cooling Ltd

Orchard Cottage, Barston Lane, Barston, Solihull, B92 0JP, England
www.ipcuk.com, info@ipcuk.com
 Telephone: 00 44 (0) 845 873 9916, fax: 00 44 (0) 845 873 9924

