



# Alfa-V Single Row VDM

## Dry coolers – commercial V-range

### General information & application

Alfa Laval supports a sustainable environment. Therefore our new Alfa-V Single Row dry cooler range has been designed according to the following principles: material wastes have been reduced to an absolute minimum, the V-angle with its exceptional guiding optimizes airflow and low coil resistance reduces energy consumption of the fan motors.

Alfa-V Single Row has been specifically designed for commercial refrigeration and air conditioning. Its main purpose is to reject small to medium heat loads in a modest footprint. In the processing industry, dry coolers are suitable for closed circuit cooling of various process liquids.

Capacities\* 20 up to 450 kW

\* water, EN1048.

### Coil

An innovative coil design based on 3/8" copper tubes and corrugated aluminium turbo fins provides excellent heat transfer at a minimized refrigerant charge. Standard fin spacing is 2.1 mm.

Separate connections provide the opportunity for independent operation of both dry cooler coils. Flanges stainless steel (UNI EN 1092-1).

### Casing

Casing material is galvanized steel sheet, pre-painted with an epoxy finish (RAL9002). Separated fan sections.

### Fan motors

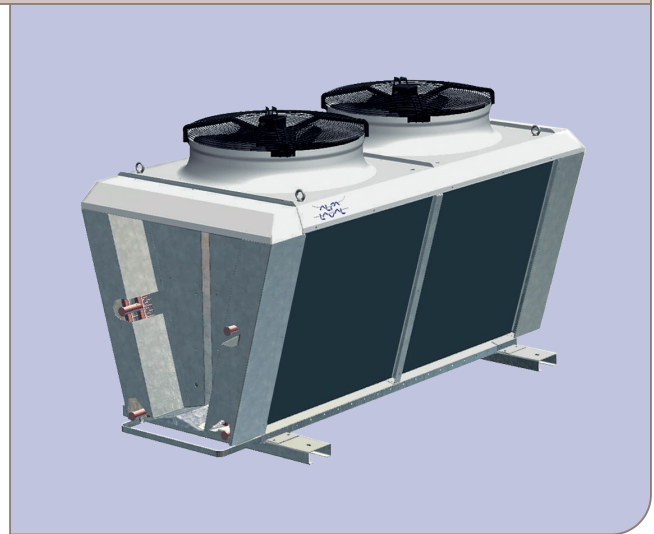
Fan motors 400/50/3 available in two fan diameters (800 & 910 mm). The motors are with external rotor, protection class IP54 according to DIN 40050. Integrated thermal protection by thermo contacts provides reliable protection against thermal overload. These fan motors are available in five sound level classes: T=high performance, S=standard, L=low, Q=quiet, and R=residential. Motors are wired to one or more common terminal boxes.

### Options

- Multi-circuiting
- Non-standard fin spacing

### Authorised agent

(IPC) Industrial Power Cooling Ltd, [www.ipcuk.com](http://www.ipcuk.com), t: 00 44 (0) 845 873 9916, [info@ipcuk.com](mailto:info@ipcuk.com)



Alfa-V Single Row

- Coil corrosion protection
  - Coil coating
  - Fins seawater resistant aluminium alloy 57S/5052
- Spray water device
- Vibration dampers
- Special fan motors
  - 480/3/60 (IP54)
  - EC fan motors
  - Protection class IP55
  - High-temperature motors
  - Explosion proof motors
- Electrical options
  - Isolating switch
  - Motors wired to a common terminal box
  - EMC approval

### Certifications

All dry cooler models are "Eurovent Certify All" certified. The Alfa Laval quality system is in accordance with ISO 9001. All products are manufactured according to CE and PED rules.

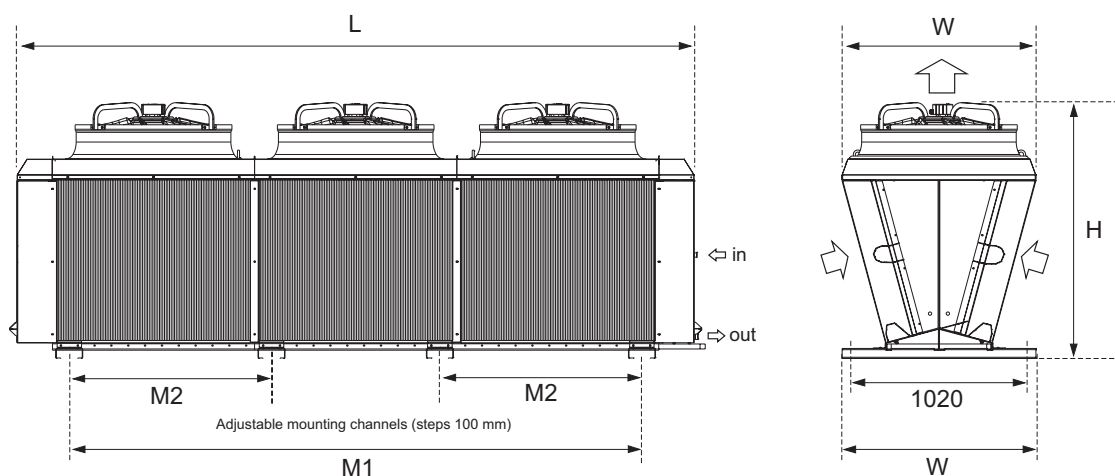
### Design pressure

Design pressure 9 bar. Each heat exchanger is leak tested with dry air.

### Selection

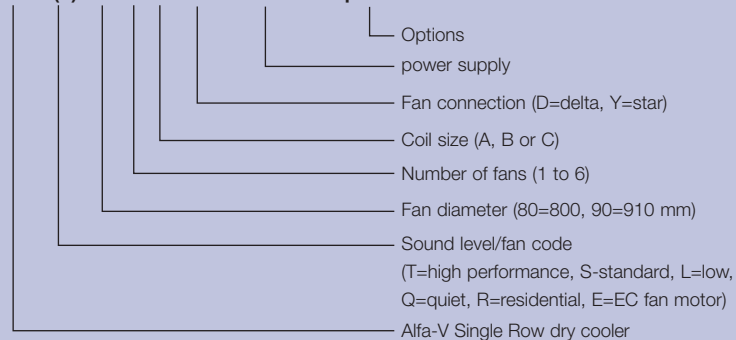
For VDM dry cooler selection and support please contact your local Alfa Laval representative.

Model	Transport dimensions					Mounting channels		
	Fans no.	Length L mm	Height H mm	Width W mm	Weight kg	no.	M1 mm	M2 mm
VDM 801	1	1635	1451	1150	230	2	800	-
VDM 802	2	2635	1451	1150	393	2	1800	-
VDM 803	3	3635	1451	1150	557	4	2800	800
VDM 804	4	4635	1451	1150	721	4	3800	1000
VDM 805	5	5635	1451	1150	885	4	4800	1800
VDM 806	6	6635	1451	1150	1049	4	5800	1800
VDM 901	1	1836	1520	1150	260	2	1000	-
VDM 902	2	3036	1520	1150	480	2	2200	-
VDM 903	3	4236	1520	1150	700	4	3400	1200
VDM 904	4	5436	1520	1150	920	4	4600	1300
VDM 905	5	6636	1520	1150	1140	4	5800	2200



### Code description

#### VDM S(E) 80 2 B - D - 230/50/1 - options



### Benefits

- Excellent sound characteristics, suitable for residential applications
- Reliable performance, Eurovent certified
- Easy installation & maintenance.
- Energy efficient - low total cost of ownership.
- Adjustable mounting feet
- Modern design
- Heavy duty materials for a long product life
- Two-year product guarantee.