



AlfaSolar SDM/SDD

Dry coolers

General information & application

Dry coolers are often used for cooling down condenser water in air conditioning and refrigeration installations. In the processing industry, dry coolers are suitable for closed circuit cooling of various process liquids. With a wide range of sound pressure level alternatives, these units are particularly suited to demanding, noise sensitive environments. Alfa Solar dry coolers are available for both horizontal and vertical air direction.

Capacities* 37 up to 1651 kW

* water, EN1048.

Coil

Coil manufactured from copper tubes \varnothing 12.7 mm and corrugated Alu-fins, standard fin spacing is 2.3 mm. Flanges PN10/16 according to DIN 2642.

Casing

Casing and framework of corrosion resistant, galvanized sheet steel.

Fan motors

Axial fans in a range of different fan speed executions. Available in two fan diameters: 914 mm (1 to 14 fans) or 1240 mm (1 to 7 fans). Enclosed design fan motors, protection class IP-54, class F insulation. Motors are wired to the fans' safety switches (IP65). All fans have corrosion resistant fan blades and fan guards.

Certifications

All dry cooler models are "Eurovent Certify All" certified. The Alfa Laval Vantaa quality system is in accordance with ISO 9001. All products are manufactured according to CE and PED rules.

Test

Design pressure 6 barg. Each heat exchanger is leak tested dry air at 9 barg.

Transport

Standard vertical transport position, fixed on a wooden pallet.



AlfaSolar SDD

Options

- Copper (CU) or epoxy coated (EP) fins
- Fin spacings 2.5 and 3.2 mm
- Water spraying system (KW)
- Vibration dampers (T)
- Step control (SC) + options
- Fan speed control with frequency converter (SVC) + options
- EC fan motors, control panels & options
- Casing epoxy painted grey RAL 7040 (MU, M1, M2, M3)
- EMC cables, glands & safety switches for each fan (EMC)
- Motors with thermal overload Klixon switches (THC)
- Motor heater (MH)
- Packing: pallet or container

Dry cooler selection & dimensions

Dry cooler selection is to be performed with our Air Heat Exchanger selection software. Selection output includes all relevant technical data and dimensional drawings.

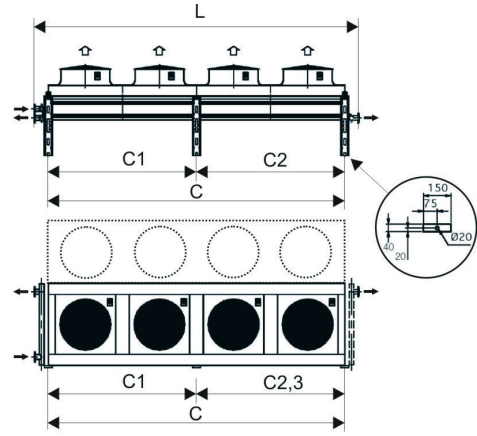


Authorised agent

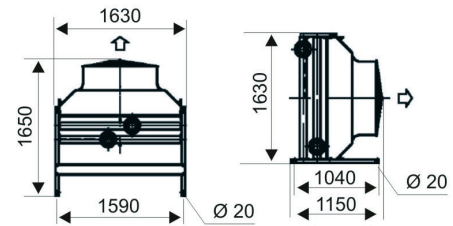
(IPC) Industrial Power Cooling Ltd, www.ipcuk.com, t: 00 44 (0) 845 873 9916, info@ipcuk.com

Dimensions & weights

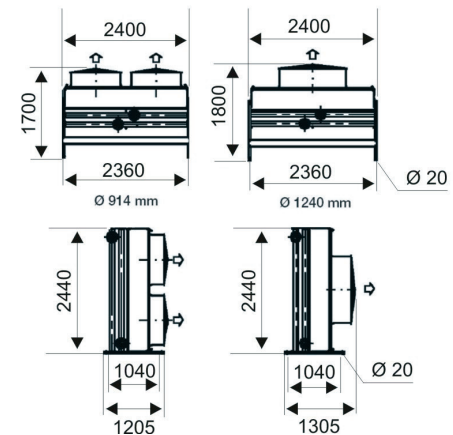
unit size	dimensions (mm)					fixing points	weight kg	int.vol. l	surface m ²
	L	C	C1	C2	C3				
SDM-1A-3	2000	1400	1400			4	240	32	157
SDM-1A-4	2000	1400	1400			4	260	40	210
SDM-1B-4	2400	1800	1800			4	320	49	269
SDM-2A-3	3400	2800	2800			4	480	61	314
SDM-2A-4	3400	2800	2800			4	520	78	419
SDM-2B-4	4200	3600	3600			4	640	96	539
SDM-3A-3	4800	4200	4200			4	720	85	471
SDM-3A-4	4800	4200	4200			4	780	109	629
SDM-3B-4	6000	5400	5400			4	960	136	808
SDM-4A-3	6200	5600	2800	2800		6	960	113	629
SDM-4A-4	6200	5600	2800	2800		6	1040	145	838
SDM-4B-4	7800	7200	3600	3600		6	1280	180	1078
SDM-5A-3	7600	7000	2800	4200		6	1200	136	786
SDM-5A-4	7600	7000	2800	4200		6	1300	176	1048
SDM-5B-4	9600	9000	3600	5400		6	1600	229	1347
SDD-2B-3	4200	3600	3600			4	920	112	606
SDD-2B-4	4200	3600	3600			4	990	151	808
SDD-2C-4	4800	4200	4200			4	1110	171	943
SDD-3B-3	6000	5400	5400			4	1370	164	909
SDD-3B-4	6000	5400	5400			4	1490	224	1212
SDD-3C-4	6900	6300	6300			4	1670	254	1414
SDD-4B-3	7800	7200	3600	3600		6	1830	222	1212
SDD-4B-4	7800	7200	3600	3600		6	1980	283	1617
SDD-4B-5	7800	7200	3600	3600		6	2130	344	2021
SDD-4C-4	9000	8400	4200	4200		6	2200	323	1886
SDD-4C-5	9000	8400	4200	4200		6	2380	414	2357
SDD-4C-6	9000	8400	4200	4200		6	2560	485	2829
SDD-5B-3	9600	9000	3600	5400		6	2280	267	1515
SDD-5B-4	9600	9000	3600	5400		6	2470	363	2021
SDD-5B-5	9600	9000	3600	5400		6	2660	439	2526
SDD-5C-4	11100	10500	4200	6300		6	2770	412	2357
SDD-5C-5	11100	10500	4200	6300		6	2990	501	2947
SDD-5C-6	11100	10500	4200	6300		6	3210	590	3536
SDD-6B-3	11400	10800	3600	3600	3600	8	2730	331	1819
SDD-6B-4	11400	10800	3600	3600	3600	8	2970	422	2425
SDD-6B-5	13200	10800	3600	3600	3600	8	3200	514	3031
SDD-6B-6	11400	10800	3600	3600	3600	8	3430	605	3637
SDD-6C-4	11400	12600	4200	4200	4200	8	3320	482	2829
SDD-6C-5	13200	12600	4200	4200	4200	8	3590	568	3536
SDD-6C-61	3200	12600	4200	4200	4200	8	3860	675	4243
SDD-7B-3	13200	12600	3600	5400	3600	8	3190	376	2122
SDD-7B-4	13200	12600	3600	5400	3600	8	3460	482	2829
SDD-7B-5	13200	12600	3600	5400	3600	8	3730	568	3536
SDD-7B-6	13200	12600	3600	5400	3600	8	4000	674	4243



Models SDM

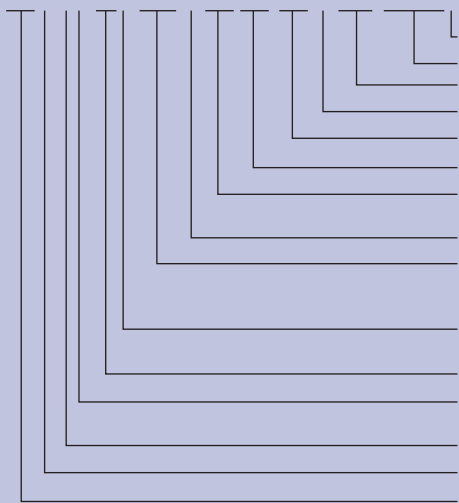


Models SDD



Code description

SDD-6B-09L-N5Y-H-AL-2.3-CU-4-128-1DN80S



Conn. position (S=same end, O=opposite ends)
 Connections (1 inlet + 1 outlet DN80 flange)
 No. of circuits
 Tube rows in air direction (3,4,5,6)
 Tube material
 Fin spacing (mm)
 Fin material (AL=aluminium, EP=epoxy coated, CU=copper)
 Air flow (H=vertical, V=horizontal)
 Power supply (N5Y=3/400/50-Y, N5D=3/400/50-D, N6=3/440/60, N7=3/230/50, N8=3/690/50)
 Fan speed (T=950, S=720, L=560, Q=470, R=350)
 Fan diameter (09=910 mm, 12=1240 mm)
 Module length (A=1400 mm, B= 1800 mm, C= 2100 mm)
 No. of modules
 Unit width (M=narrow, D=wide)
 AlfaSolar dry cooler

Benefits

- Heavy duty coil & casing materials, resulting in a long operational product life.
- Floating coil construction to compensate for thermal stress.
- Plain profile fins make the coil less prone to fouling and easier to clean.
- Excellent sound characteristics
- Reliable performance, Eurovent certified.
- Easy-install & maintenance.
- Energy efficient - low total cost of ownership.
- Two year full product guarantee.

ERC00311EN 1103

Alfa Laval reserves the right to change specification without prior notification.

Visit www.alfalaval.com for more information or contact

(IPC) Industrial Power Cooling Ltd

Orchard Cottage, Barston Lane, Barston, Solihull, B92 0JP, England

www.ipcuk.com, info@ipcuk.com

Telephone: 00 44 (0) 845 873 9916, fax: 00 44 (0) 845 873 9924

